

Model No	LOL0188
Application	Step
Description	Mini Step Light
Lamp	Halogen or Warm White LED
Wattage	10W Halogen
Voltage	12V Halogen or 6 - 15V LED



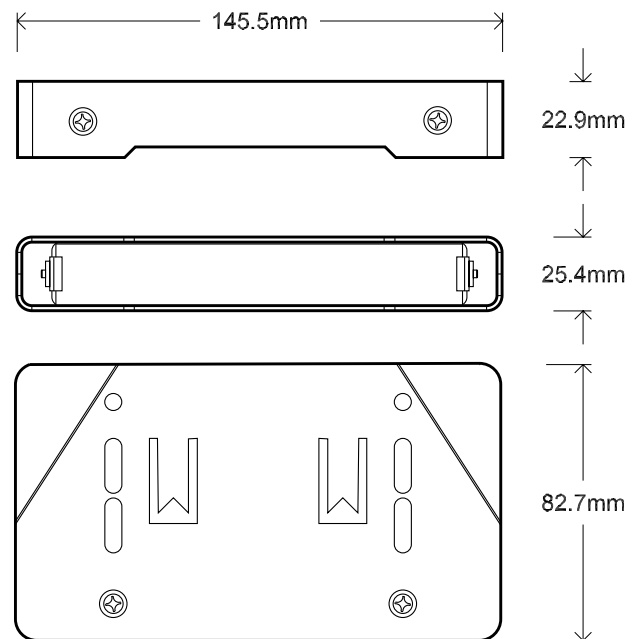
Finish	Stainless Steel, Brass, Copper or Powdercoat in a wide variety of colours
Mounting	Surface Mount Flange
Fasteners	Stainless Steel
IP	TBA

Dimensions	145.5 x 22.9 x 25.4
mm	L x H x W
Weight	TBA

Notes	

Detailed description

Tucked unobtrusively into small places, the versatile LOL0188 Rail Light fixture provides outstanding illumination while creating beautiful effects without revealing the source. The simple but effective design allows the LOL0188 to be applied as a rail light for decks, balconies, boat docks and gazebos. In addition, the LOL0188 can be firmly anchored in place with a special interlocking flange plate (included) for masonry or paver-wall installations. This low voltage fixture has an aluminum housing and a stainless steel chassis for strength and reliability.



Flange Mounting Plate

Note: All dimensions and other specifications can change without notice. Please contact Light On Landscape to confirm the availability and current specifications of this luminaire.

Installation: Light On Landscape strongly recommend that all luminaires be correctly installed and maintained. Failure to do so will result in the voiding of the manufacturer's warranty and the reduced efficiency, performance and life of the fixture. To eliminate voltage drop, we advise that the recommended UV stabilized cable and run lengths are used, along with soldered joints, heat shrink connectors and quality lamps.