

Model No	LOL0037
Application	Spread - Flood
Description	Compact Mini Flood Light
Lamp	Metal Halide
Wattage	35w - 150w
Voltage	240V AC

Finish	Anodised Silver, White or Black
Mounting	Stirrup Mount to Surface
Fasteners	Stainless steel screws
IP	65
Weight	4.6 , 4.9 or 5.5kg
Beam	60°**

Dimensions	202 x 264 x 234
mm	L x W x H



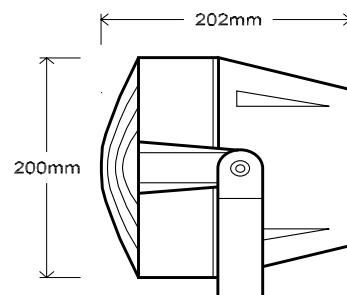
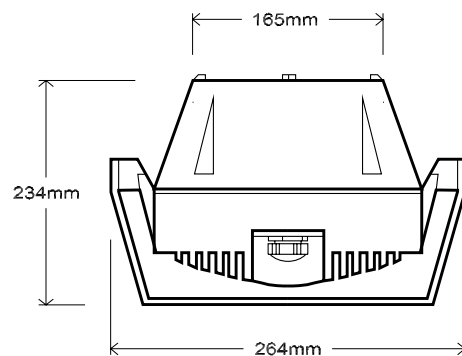
Notes

* Glare shield, coloured filter and spread lens options available.

** Reflectors with wide or narrow beam characteristics

Detailed description

This compact high performance projector with axially symmetrical light distribution is ideal for spotlighting features and utilises a trunnion for mounting purposes. It has integrated pressure equalisation port for condensation avoidance and is made from die cast aluminium, with a tempered glass enclosure.



Note: All dimensions and other specifications can change without notice. Please contact Light On Landscape to confirm the availability and current specifications of this luminaire.

Installation: Light On Landscape strongly recommend that all luminaires be correctly installed and maintained. Failure to do so will result in the voiding of the manufacturer's warranty and the reduced efficiency, performance and life of the fixture. To eliminate voltage drop, we advise that the recommended UV stabilized cable and run lengths are used, along with soldered joints, heat shrink connectors and quality lamps.